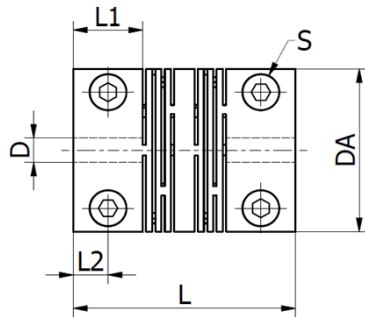


FV-KUPPLUNG

FV-WSV-H



- Servo elastic coupling
- Available in Alu-INOX-Steel
- Design with clamping hub in two halves
- Maintenance free
- Backlash free
- Angular misalignment +/- 1°
- Temperature range -55°C / + 150°C



Al= Aluminium
VA= Stainless steel
St= Carbon steel

PRODUCT CODE KEY - EXAMPLE

FV	WSV	30	H	10	12	VA
Model		30	H	10	12	VA
Design						
Size						
Construction						
Bore D1						
Bore D2						
Material						

	TKN Nm	TKN Nm	TKN Nm	Speed Rpm-max	DA mm	Dmin mm	Dmax mm	L mm	L1 mm	L2 mm	S mm
H	Al	St	VA								
30	10	-	25	6000	30	6	14	40	11	5,5	M4
40	19	-	36	5000	40	6	19	48	11	5,5	M5
50	35	-	73	5000	50	10	26	65	19	9,5	M6
60	70	125	-	4500	60	10	30	80	25	12,5	M8
70	130	170	-	4000	70	15	35	95	25	12,5	M8
80	180	220	-	3500	80	20	40	100	25	12,5	M8

TKN is calculated for 24H continuous operation and maximum 20 start-up per hour - For sizing see related page
Different design and sizes are possible