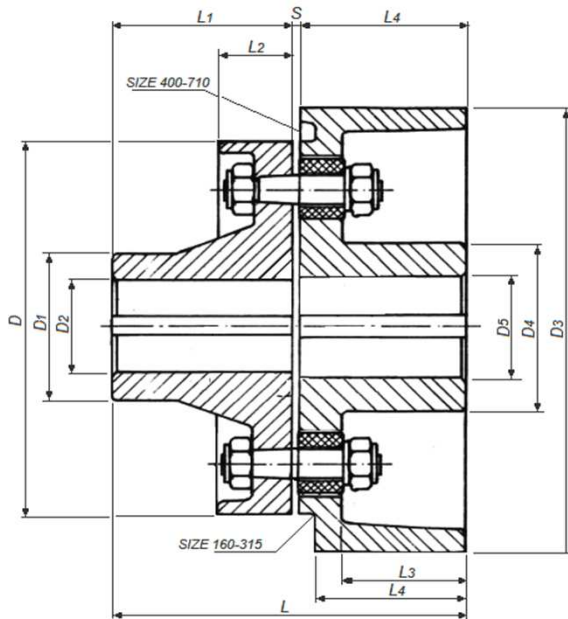


# FV-KUPPLUNG

## FV-PLB



- Flexible pin and bush coupling
- Design with brake drum DIN 15431
- Cast iron GG25
- Elastic element NBR
- Angular misalignment +/- 0,15°
- Temperature range -20°C / + 80°C

### PRODUCT CODE KEY - EXAMPLE

FV	PL	200	B	42	48	S
Model						
Design						
Size						
Construction						
Bore D2						
Bore D5						
Special design according text specification						

	TKN	D	D1	D2max	L1	L2	S	D3	D4	D5max	L3	L4	L
	Nm	mm	mm	mm	mm	mm	mm	mm	mm	mm	mm	mm	mm
<b>PLB</b>													
<b>160</b>	200	150	65	38	80	40	4	160	65	40	48	60	152
<b>200</b>	450	180	80	42	110	50	4	200	80	50	60	75	199
<b>250</b>	800	220	100	60	145	50	4	250	100	60	80	95	254
<b>315</b>	1600	270	130	70	145	60	5	315	130	80	103	118	283
<b>400</b>	3200	335	130	80	175	70	5	400	150	90	115	150	330
<b>500</b>	5500	425	160	90	180	80	6	500	160	100	150	190	376
<b>630</b>	12000	530	180	110	225	95	7	630	180	110	191	236	468
<b>710</b>	20000	600	200	120	225	110	8	710	200	120	210	265	498

TKN is calculated for 24H continuous operation and maximum 20 start-up per hour - For sizing see related page  
TKMax is permitted only five times per hour