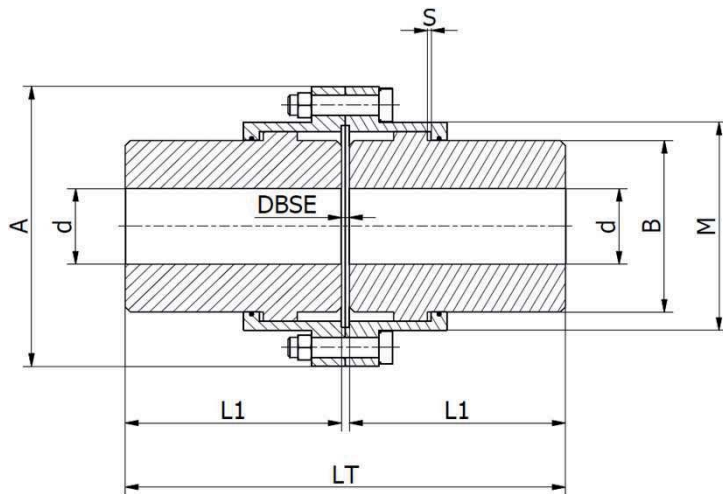


FV-KUPPLUNG

FV-F-LL



- Gear coupling with two geared hubs
- Design with long hubs
- Combined design are possible (Ex. FV-F-L; FV-F-LL-DI; FV-F-LL-T)
- Perfect interchangeable with industrial standard manufacturers
- Angular misalignment +/- 0,4°
- Temperature range -20°C / + 80°C

PRODUCT CODE KEY - EXAMPLE

FV	F	203	LL	100	90	5	S
Model Design		Size		Construction		Special design according text specification	
Bore D1				Bore D2			
DBSE dimension							

	TKN kNm	TKMax KNm	Speed Rpm-max	Ød bore Max mm	A mm	B mm	L1 mm	LT mm	M mm	DBSE mm	Weight kg
F-LL											
96	1,9	4,2	6000	52	111	68	105	213	82,5	3	8,0
122	2,9	6,8	4550	62	142	86	115	233	104,6	3	13,0
148	5,7	14	4000	78	168	105	130	263	130,5	3	23,0
178	9	21,5	3900	98	200	132	150	305	158,4	5	41,0
203	14,5	35	3700	112	225	151	170	345	183,4	5	60,0
236	22,8	54,7	3550	132	265	179	185	376	211,5	6	91,0
270	34,8	83,5	3000	156	300	209	215	436	245,5	6	141,0
300	45,8	110	2750	174	330	234	245	498	275	8	199,0
335	70,8	170	2420	190	370	255	295	598	307	8	285,0
368	85,4	205	2270	210	406	280	300	608	335	8	352,0
400	150	360	1950	233	439	306	305	618	367	8	428,0
460	200	480	1730	280	505	356	310	630	423	10	596,0

S= DBSE/2

TKN is calculated for 24H continuous operation and maximum 20 start-up per hour - For sizing see related page

TKMax is permitted only five times per hour

Different design and sizes are possible

Please note: couplings are supplied without lubricants. For lubricants see technical appendix