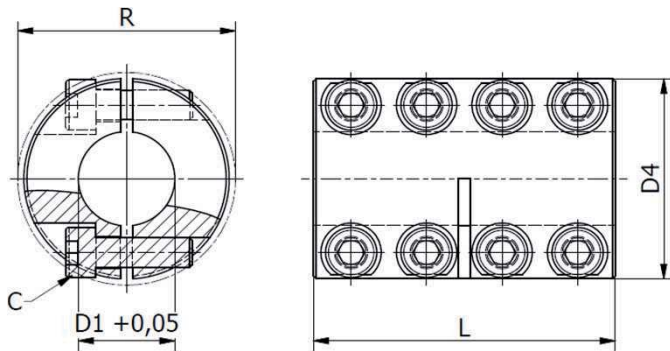


FV-KUPPLUNG

FV-WSV-M



- Rigid coupling
- Design in two halves
- Available in Steel-1.0718
- Available in INOX-1.4305

St= Carbon steel
VA= Stainless steel

PRODUCT CODE KEY - EXAMPLE

FV	WSV	M	01507
Model			
Design			
Construction			
Order code			

	Order code		TKN Nm	C DIN 912	D1 mm	D4 mm	R mm	Weight kg
	St	VA						
WSV-I								
10	01007	01007	100	M4x12	10	29	32,7	0,19
12	01207	01207	100	M4x12	12	29	32,7	0,18
14	01407	01407	190	M5x16	14	34	39,1	0,27
15	01507	01507	190	M5x16	15	34	39,1	0,27
16	01607	01607	190	M5x16	16	34	39,1	0,26
19	01907	01907	300	M6x18	19	42	48,2	0,52
20	02007	02007	350	M6x18	20	42	48,2	0,52
25	02507	02507	390	M6x18	25	45	50,8	0,62
30	03007	-	475	M6x18	30	53	58,1	0,92

TKN is calculated for 24H continuous operation and maximum 20 start-up per hour - For sizing see related page
Different design and sizes are possible