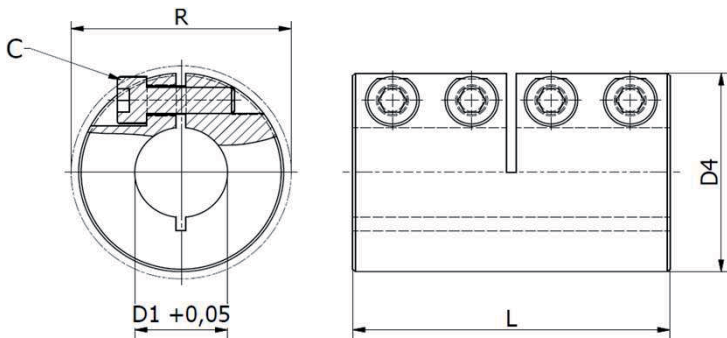


# FV-KUPPLUNG

## FV-WSV-I



- Rigid coupling
- Design with clamping hub
- Available in Steel-1.0718
- Available in INOX-1.4305

St= Carbon steel  
VA= Stainless steel

### PRODUCT CODE KEY - EXAMPLE

FV	WSV	I	01505
Model			
Design			
Construction			
Order code			

	Order code		TKN Nm	C DIN 912	D1 mm	D4 mm	R mm	Weight kg
	St	VA						
<b>WSV-I</b>								
10	01005	01006	100	M4x12	10	29	32,7	0,19
12	01205	01206	100	M4x12	12	29	32,7	0,18
14	01405	01406	190	M5x16	14	34	39,1	0,27
15	01505	01506	190	M5x16	15	34	39,1	0,27
16	01605	01606	190	M5x16	16	34	39,1	0,26
19	01905	01906	300	M6x18	19	42	48,2	0,52
20	02005	02006	350	M6x18	20	42	48,2	0,52
25	02505	02506	390	M6x18	25	45	50,8	0,62
30	03005	-	475	M6x18	30	53	58,1	0,92

TKN is calculated for 24H continuous operation and maximum 20 start-up per hour - For sizing see related page  
Different design and sizes are possible