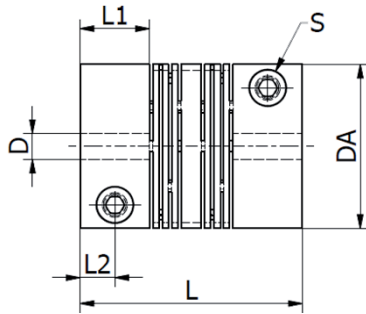


FV-KUPPLUNG

FV-WSV-K



- Servo elastic coupling
- Available in Alu-INOX-Steel
- Design with clamping hub
- Maintenance free
- Backlash free
- Angular misalignment +/- 1°
- Temperature range -55°C / + 150°C

Al= Aluminium
VA= Stainless steel
St= Carbon steel

PRODUCT CODE KEY - EXAMPLE

FV	WSV	16	K	4	6	AL
Model	Design	Size	Construction	Bore D1	Bore D2	Material

	TKN Nm	TKN Nm	TKN Nm	Speed Rpm-max	DA mm	Dmin mm	Dmax mm	L mm	L1 mm	L2 mm	S mm
K	Al	St	VA								
16	3	-	6	10000	16	3	6	23	7	3,5	M2,5
18	3	-	6	10000	18	3	6	16,6	5,5	2,75	M2,5
20	5	-	12	9500	20	3	8	28	8	4	M2,5
22	3	-	6	9500	22	3	10	20	5,5	2,75	M2,5
25	7	-	16	8000	25	6	12	28	8	4	M3
30	10	-	25	6000	30	6	14	40	11	5,5	M4
40	19	-	36	5000	40	6	19	48	11	5,5	M5
50	35	-	73	5000	50	10	26	65	19	9,5	M6
60	70	125	-	4500	60	10	30	80	25	12,5	M8
70	130	170	-	4000	70	15	35	95	25	12,5	M8
80	180	220	-	3500	80	20	40	100	25	12,5	M8

TKN is calculated for 24H continuous operation and maximum 20 start-up per hour - For sizing see related page
Different design and sizes are possible