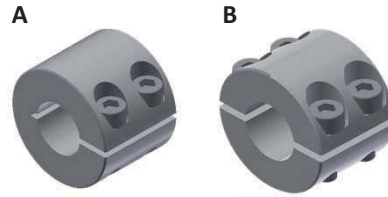
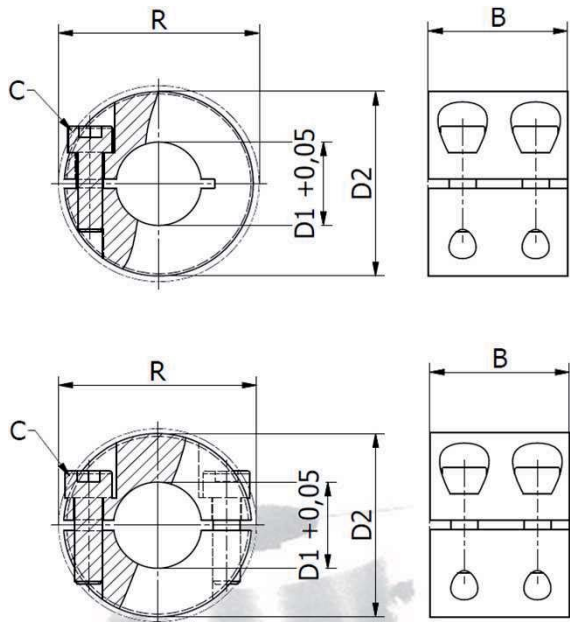


# FV-KUPPLUNG

## FV-WSV-B2



- Collars
- Available in Alu-INOX-Steel
- Two different design A or B

St= Carbon steel  
VA= Stainless steel

### PRODUCT CODE KEY - EXAMPLE

FV	WSV	B2	1610
Model			
Design			
Construction			
Order code			

Order code

B2	Model A		Model B		B	C DIN 912	D1	D2	R	Weight
	St	VA	St	VA						
8	0809	0810	0811	0812	20	M3x8	8	18	22,4	0,024
10	1009	1010	1011	1012	20	M3x10	10	24	26	0,048
12	1209	1210	1211	1212	24	M4x12	12	28	31,8	0,078
16	1609	1610	1611	1612	29	M5x16	16	34	39,4	0,13
20	2009	2010	2011	2012	33	M6x16	20	40	46,4	0,202
25	2509	2510	2511	2512	33	M6x16	25	45	50,8	0,24
30	3009	3010	3011	3012	33	M6x18	30	54	58,6	0,342
40	4009	4010	4011	4012	33	M6x18	40	60	65	0,344
50	5009	5010	5011	5012	41	M8x25	50	78	87	0,772